

# Coaxial Surge Protector - 6GHz

## P8AX-VG Series



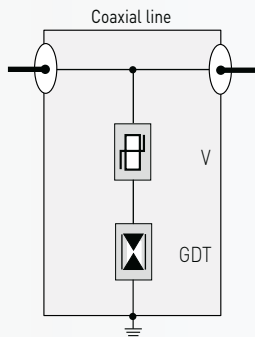
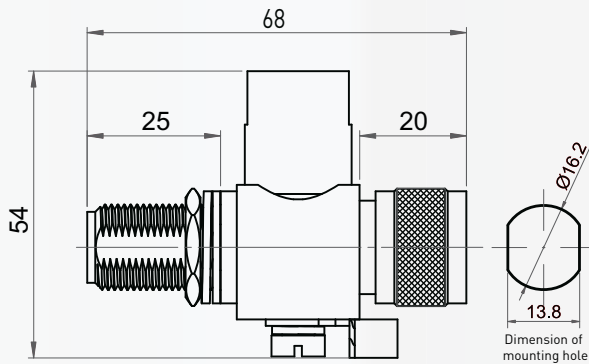
P8AX09-VG-N/MF



- **Coaxial Surge Protector from DC-6GHz**
- **Hybrid Design for Maximum Performance**
- **Bi-Directional Protection**
- **Feedthrough Mounting**
- **DC Pass Configuration**
- **Waterproof Design**
- **I<sub>max</sub> : 6kA**
- **Insertion Loss ≤ 0.2 dB**

### Dimensions and Electrical Diagram

(in mm)



V: Varistor  
GDT: 2-electrode gas tube

### Characteristics

CITEL Part Number	P8AX09-VG-N/MF
Frequency Range	DC to 6 GHz
Impedance	50 Ω
VSWR	≤ 1.25
Insertion Loss	≤ 0.2 dB
Maximum Input Power	70 W
User Current	6A
User Voltage	90 Vdc
Maximum Discharge Current (8/20μs)	6 kA
Protection Level (1.2/50μs, 4kV)	Up 600 V
Insulation Resistance (50 Vac)	10 GΩ
Mechanical Characteristics	
Dimensions	See drawing
Connectors	N Male to N Bulkhead Female
Grounding	M6 screw, bulkhead, bracket
Operating Temperature	-40°C to +85°C
Classification	IP65

### Material

Component	Body	Male Contacts	Female Contacts	Insulators
Material	Brass	Bronze	Bronze	PTFE
Surface Plating	Cu Zn Sn	Gold	Gold	N/A